

Transition Damper ▲ 6½" Deep ▲ Pin-Lock Blades ▲ Parallel or Opposed ▲ Round and Oval Transition ▲ Extruded Aluminum

For use to 4 in. w.g. of static pressure

STANDARD MATERIALS AND CONSTRUCTION

FRAME: 1⅝" x 6½" x 1⅝" extruded aluminum channel frame with a .080" thick aluminum transition piece.

BLADE: Extruded aluminum, pin-lock design.

SHAFT: ½" dia. aluminum shaft, extends 7" beyond frame.

BEARINGS: Double-sealed.

LINKAGE: In jamb, out of air stream.

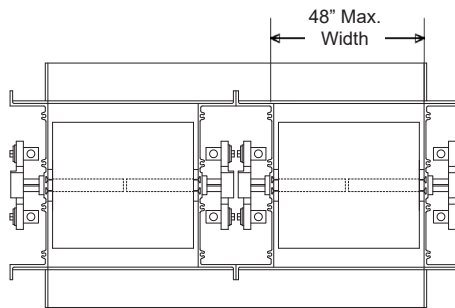
FINISH: Mill.

NOTES

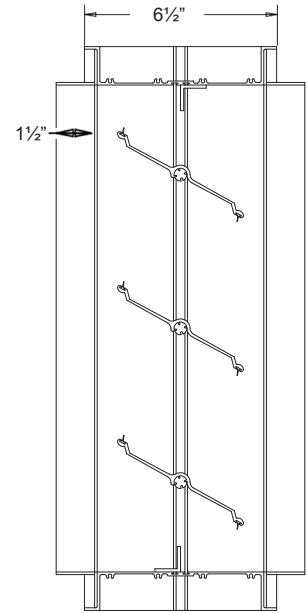
1. ¼" nominal deduction will be made to the opening size given.
2. Please specify blade position: Parallel or Opposed.
3. Approximate shipping weight is 7 lbs./sq.ft.

DAMPER SIZES

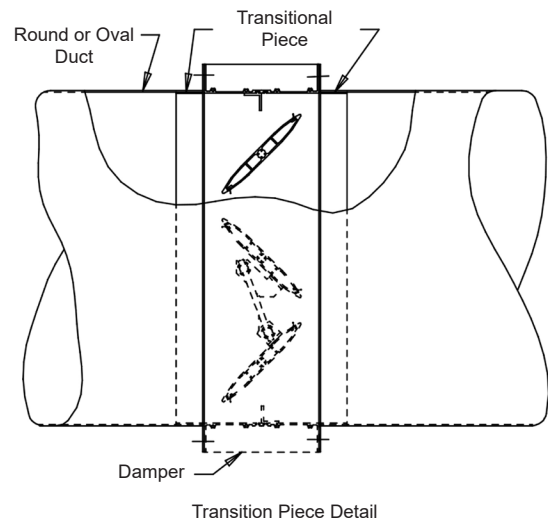
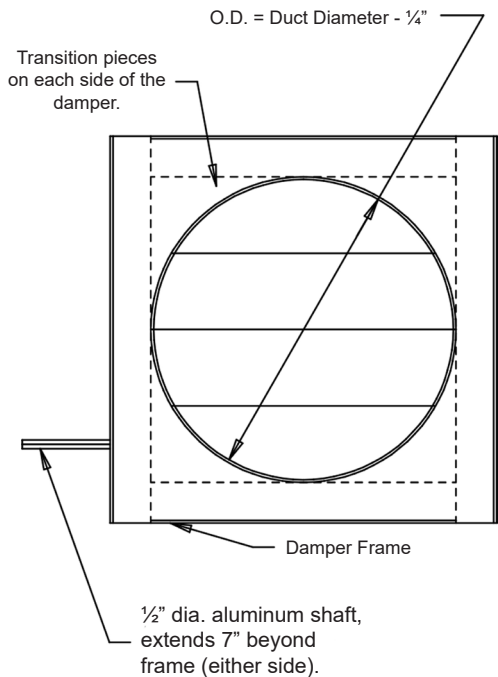
Min Size	Max Size
10"W x 10"H	48"W x 48"H



Opposed Blade Position



Parallel Blade Position
Not to scale.



Item #	Qty	Width	Height	Parallel	Opposed	Round	Oval	Union Made
		Damper Size (in.)		Blade Position		Transition Type		
Arch. / Eng.:		EDR:		ECN:		Job:		
Contractor:		Date:		DWN:		DWG:		
Project:								

